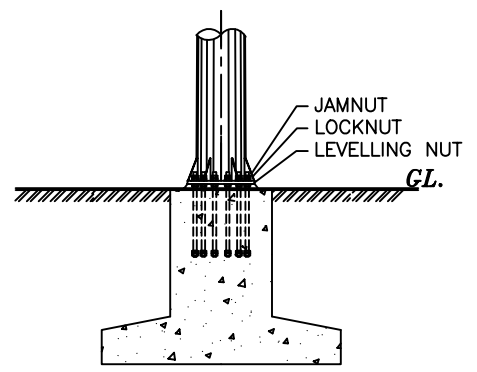
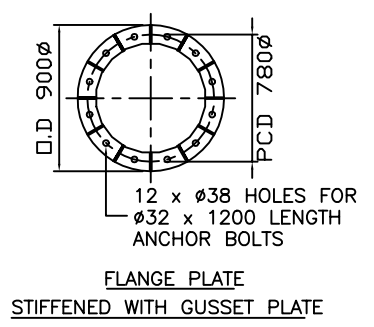
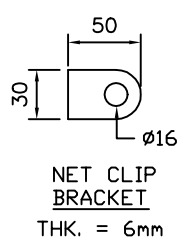
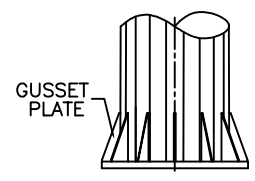
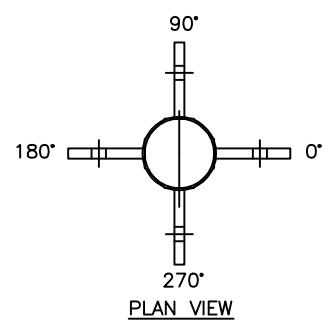


TECHNICAL INFORMATION

COLUMN DESIGN	:	ILE TR7./ BS-CP3
MATERIAL	:	BS 4360 G50A / JIS G3101 SS400
BASIC WIND SPEED	:	35 m/s
TOPOGRAPHY FACTOR	:	1
TERRAIN CATERGORY	:	2
EXPOSURE PERIOD	:	25 YEARS
WELDING CONFORMS TO	:	BS 5135
GALVANIZING CONFORMS TO	:	BS 729



GALVANISED POLES AUSTRALIA
 45 Briggs Street, Welshpool,
 Western Australia 6106
 P: 1300 790 343
 E: sales@galvanisedpolesaustralia.com
 www.galvanisedpolesaustralia.com

CLIENT : -	DRAW NO : 30M/NP/FM/01/R0
PROJECT : -	FILE NAME : NP ISO STD
DATE : 15-09-2010	DRAWN BY : D.C.
DRAWING TITLE : 30M NETTING POLE FM	INCHARGE BY : D.C.
	CHECK/APPR. BY : D.C.
	SCALE : N.T.S
	A4 SIZE

THIS DRAWING IS THE PROPERTY OF GALVANISED POLES AUSTRALIA AND MUST NOT BE REPRODUCED WITHOUT THEIR PRIOR CONSENT IN WRITING.