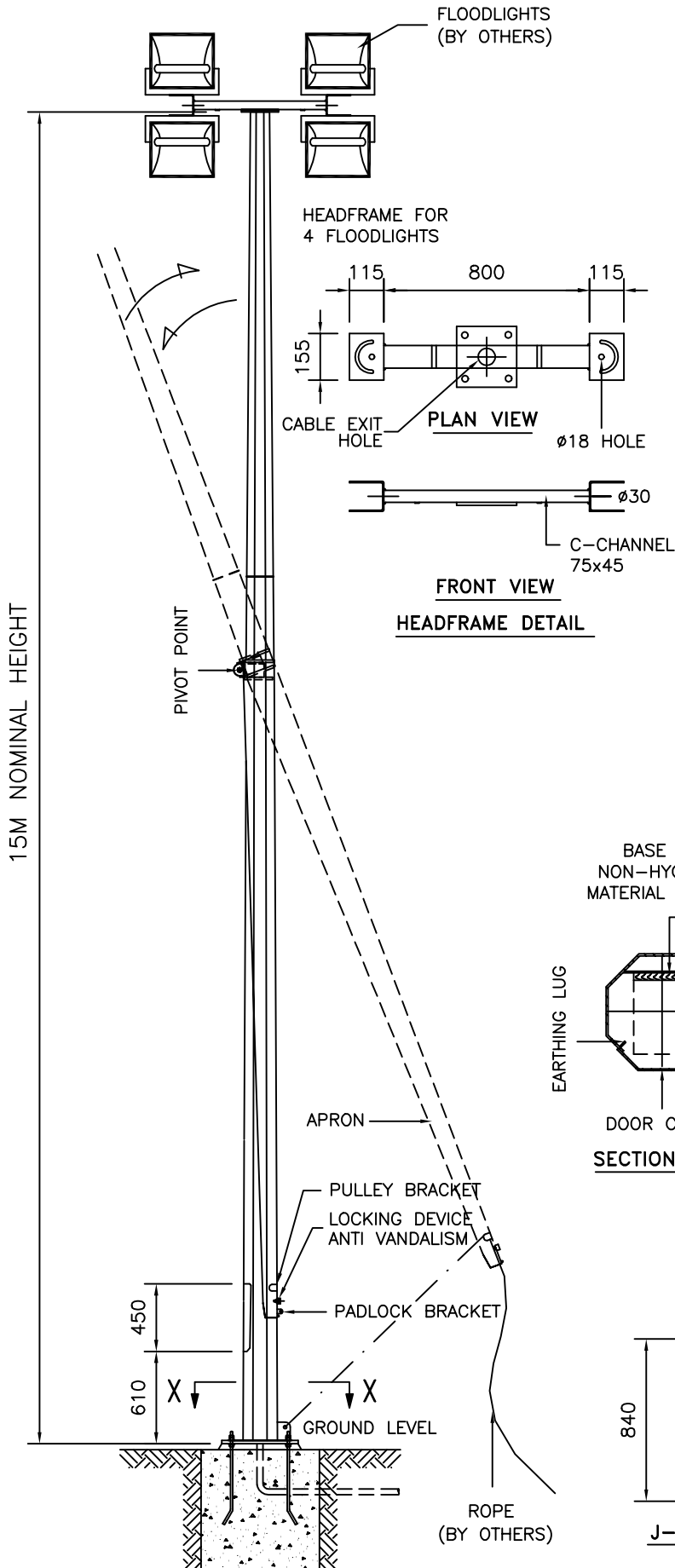


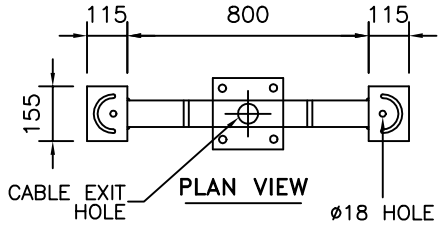
**TECHNICAL SPECIFICATIONS**

- GPA COLUMNS, POLES AND MASTS ARE SPECIFICALLY DESIGNED AND ENGINEERED FOR THE VARIOUS AUSTRALIAN WIND SPEED, TERRAIN AND TOPOGRAPHIC CONDITIONS.
- GPA COLUMNS, POLES AND MASTS ARE MANUFACTURED IN COMPLIANCE TO AUSTRALIAN STANDARD AS/NZS 1170
- MATERIALS USED FOR LIGHTING COLUMNS ARE IN COMPLIANCE TO AS/NZS 4600.
- LIGHTING COLUMNS ARE LONGITUDINALLY SEAM WELDED CONFORM TO AUSTRALIAN STANDARDS BY AUTOMATIC CONTINUOUS METAL INERT GAS (MIG) PROCESS.
- COLUMNS ARE ANTI-CORRODED BY HOT-DIP GALVANISED, COMPLIANCE TO GALVANIZING STANDARD AS4680
- SERVICE DOOR DIMENSIONS ARE GIVEN AS A GUIDE ONLY. THE ENGINEER MUST SATISFY HIMSELF THAT DIMENSIONS GIVEN ARE ADEQUATE FOR THE INSTALLATION OF THE REQUIRED CONTROL GEAR.
- ALL DIMENSIONS ARE IN (mm), UNLESS OTHERWISE SPECIFIED.

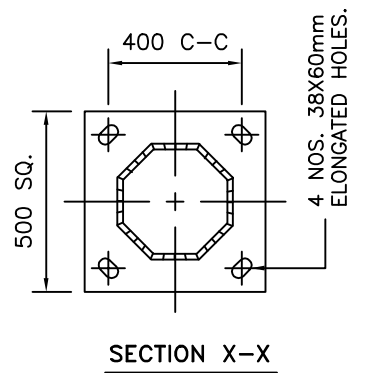
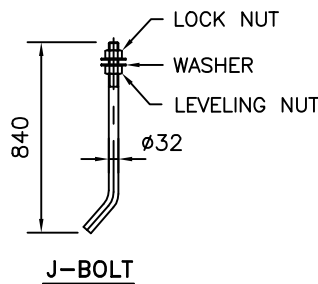
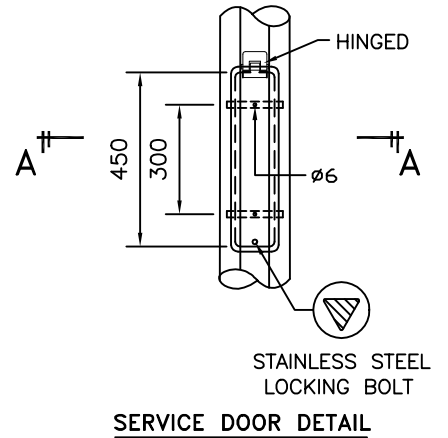
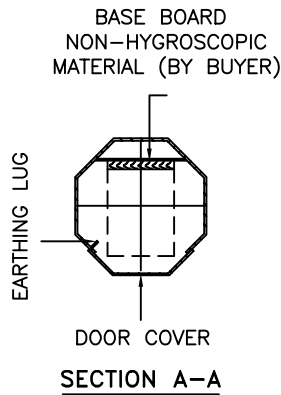


15M NOMINAL HEIGHT

HEADFRAME FOR 4 FLOODLIGHTS



FRONT VIEW  
HEADFRAME DETAIL



45 Briggs Street, Welshpool,  
Western Australia 6106  
P: 1300 790 343  
E: sales@galvanisedpolesaustralia.com  
www.galvanisedpolesaustralia.com

CLIENT : -	PROJECT : -	DATE : 27-03-2010	DRAWN BY : D.C.
DRAWING TITLE : <b>15M MID-HINGED COLUMN HEADFRAME 4</b>			

DRAW NO : 15M/FLCHC/HF-4/FM/01/R0	FILE NAME : FLCHC ISO STD
INCHARGE BY : D.C.	SCALE : N.T.S
CHECK/APPR. BY : D.C.	A4 SIZE
THIS DRAWING IS THE PROPERTY OF GALVANISED POLES AUSTRALIA AND MUST NOT BE REPRODUCED WITHOUT THEIR PRIOR CONSENT IN WRITING.	