

12M NOMINAL MOUNTING HEIG

1700

450

610

305

BASE PLATE  
c/w HOOK BOLT  
SEE DETAIL

FLOODLIGHTS  
(BY OTHERS)

HEADFRAME FOR  
4 FLOODLIGHTS

PLAN VIEW

FRONT VIEW

HEADFRAME DETAIL

OCTAGONAL POLE

BASE BOARD  
NON-HYGROSCOPIC  
MATERIAL (BY BUYER)

EARTHING LUG

DOOR COVER

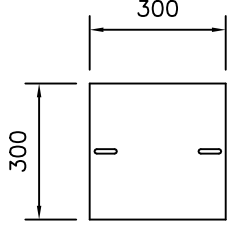
SECTION A-A

DOUBLE  
SLOT  
HINGED

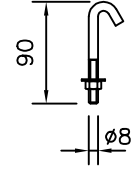
SERVICE DOOR

GL.

CABLE ENTRY SLOT  
55W x 150H



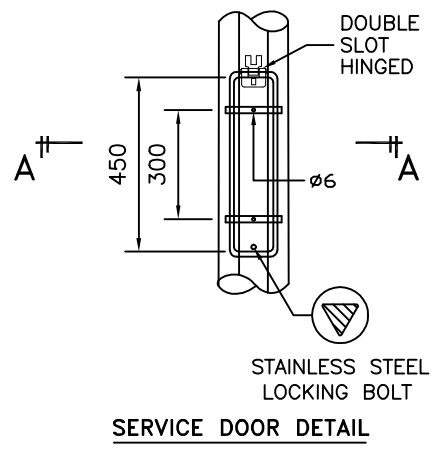
BASE PLATE



HOOK BOLT

**TECHNICAL SPECIFICATIONS**

- GPA COLUMNS, POLES AND MASTS ARE SPECIFICALLY DESIGNED AND ENGINEERED FOR THE VARIOUS AUSTRALIAN WIND SPEED, TERRAIN AND TOPOGRAPHIC CONDITIONS.
- GPA COLUMNS, POLES AND MASTS ARE MANUFACTURED IN COMPLIANCE TO AUSTRALIAN STANDARD AS/NZS 1170
- MATERIALS USED FOR LIGHTING COLUMNS ARE IN COMPLIANCE TO AS/NZS 4600.
- LIGHTING COLUMNS ARE LONGITUDINALLY SEAM WELDED CONFORM TO AUSTRALIAN STANDARDS BY AUTOMATIC CONTINUOUS METAL INERT GAS (MIG) PROCESS.
- COLUMNS ARE ANTI-CORRODED BY HOT-DIP GALVANISED, COMPLIANCE TO GALVANIZING STANDARD AS4680
- SERVICE DOOR DIMENSIONS ARE GIVEN AS A GUIDE ONLY. THE ENGINEER MUST SATISFY HIMSELF THAT DIMENSIONS GIVEN ARE ADEQUATE FOR THE INSTALLATION OF THE REQUIRED CONTROL GEAR.
- ALL DIMENSIONS ARE IN (mm), UNLESS OTHERWISE SPECIFIED.



SERVICE DOOR DETAIL

**GALVANISED POLES AUSTRALIA**  
 45 Briggs Street, Welshpool,  
 Western Australia 6106  
 P: 1300 790 343  
 E: sales@galvanisedpolesaustralia.com  
 www.galvanisedpolesaustralia.com

CLIENT : -	PROJECT : -	DATE : 17-03-2010	DRAWN BY : D.C.	DRAWING TITLE : <b>12M FLOODLIGHT COLUMN HF-4 PT</b>
------------	-------------	-------------------	-----------------	---

DRAW NO : 12M/FLC/HF-4/PT/R0	FILE NAME : FLC STD ISO	CHECKED BY : D.C.	SCALE : N.T.S
APPROVED BY : D.C.	A4 SIZE	THIS DRAWING IS THE PROPERTY OF GALVANISED POLES AUSTRALIA AND MUST NOT BE REPRODUCED WITHOUT THEIR PRIOR CONSENT IN WRITING.	