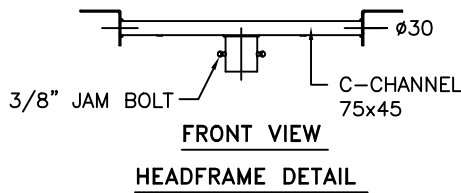
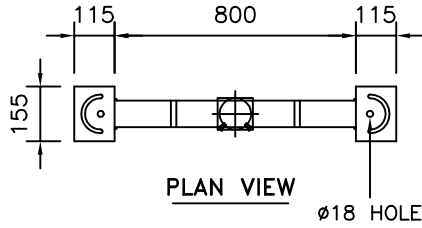


FLOODLIGHTS
(BY OTHERS)

HEADFRAME FOR
2 FLOODLIGHTS



TECHNICAL SPECIFICATIONS

- GPA COLUMNS, POLES AND MASTS ARE SPECIFICALLY DESIGNED AND ENGINEERED FOR THE VARIOUS AUSTRALIAN WIND SPEED, TERRAIN AND TOPOGRAPHIC CONDITIONS.
- GPA COLUMNS, POLES AND MASTS ARE MANUFACTURED IN COMPLIANCE TO AUSTRALIAN STANDARD AS/NZS 1170
- MATERIALS USED FOR LIGHTING COLUMNS ARE IN COMPLIANCE TO AS/NZS 4600.
- LIGHTING COLUMNS ARE LONGITUDINALLY SEAM WELDED CONFORM TO AUSTRALIAN STANDARDS BY AUTOMATIC CONTINUOUS METAL INERT GAS (MIG) PROCESS.
- COLUMNS ARE ANTI-CORRODED BY HOT-DIP GALVANISED, COMPLIANCE TO GALVANIZING STANDARD AS4680
- SERVICE DOOR DIMENSIONS ARE GIVEN AS A GUIDE ONLY. THE ENGINEER MUST SATISFY HIMSELF THAT DIMENSIONS GIVEN ARE ADEQUATE FOR THE INSTALLATION OF THE REQUIRED CONTROL GEAR.
- ALL DIMENSIONS ARE IN (mm), UNLESS OTHERWISE SPECIFIED.

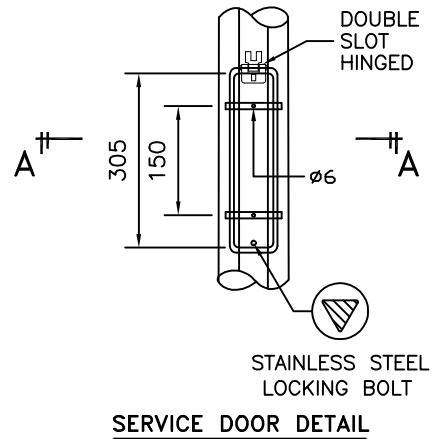
4M NOMINAL MOUNTING HEIGHT

OCTAGONAL POLE

BASE BOARD
NON-HYGROSCOPIC
MATERIAL (BY BUYER)

EARTHING LUG

DOOR COVER
SECTION A-A

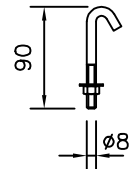
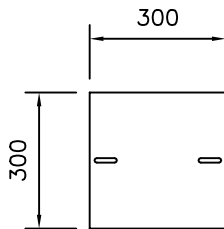


DOUBLE
SLOT
HINGED

SERVICE DOOR

GL.

CABLE ENTRY SLOT
40W x 105H



BASE PLATE
c/w HOOK BOLT
SEE DETAIL



**GALVANISED POLES
AUSTRALIA**

45 Briggs Street, Welshpool,
Western Australia 6106
P: 1300 790 343
E: sales@galvanisedpolesaustralia.com
www.galvanisedpolesaustralia.com

CLIENT : -

PROJECT : -

DATE : 17-03-2010

DRAWN BY : D.C.

DRAWING TITLE :

**4M FLOODLIGHT COLUMN
HF-2 PT**

DRAW NO : 4M/FLC/HF-2/PT/R0

FILE NAME : FLC STD ISO

CHECKED BY : D.C.

SCALE : N.T.S

APPROVED BY : D.C.

A4 SIZE

THIS DRAWING IS THE PROPERTY OF GALVANISED POLES AUSTRALIA AND MUST NOT BE REPRODUCED WITHOUT THEIR PRIOR CONSENT IN WRITING.